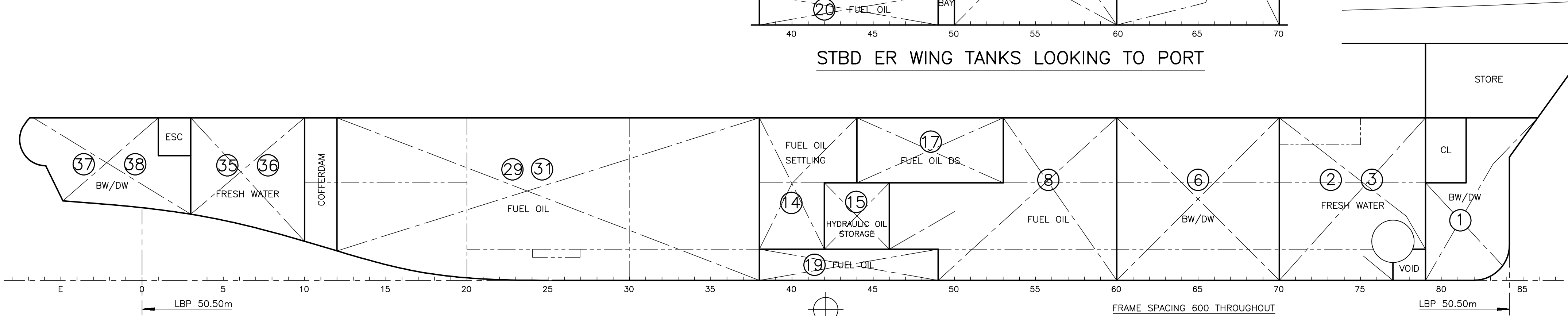
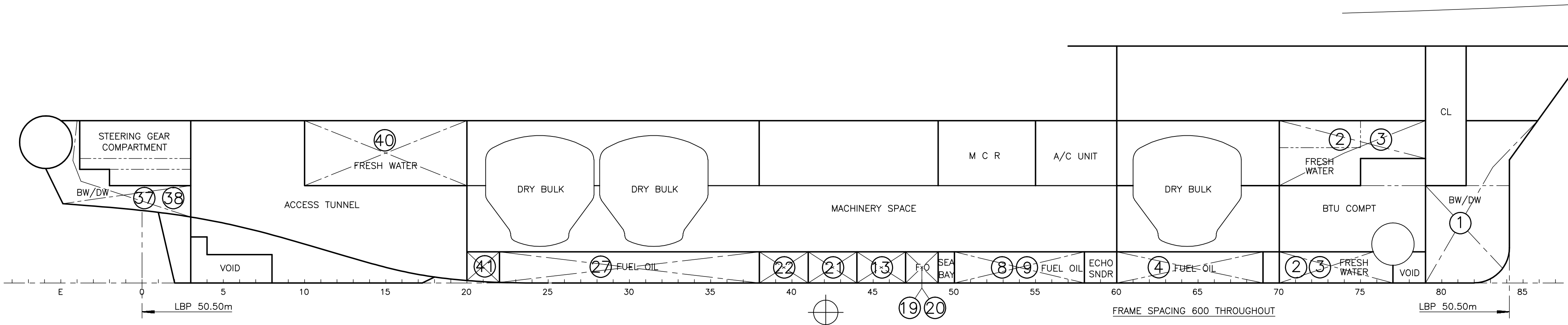


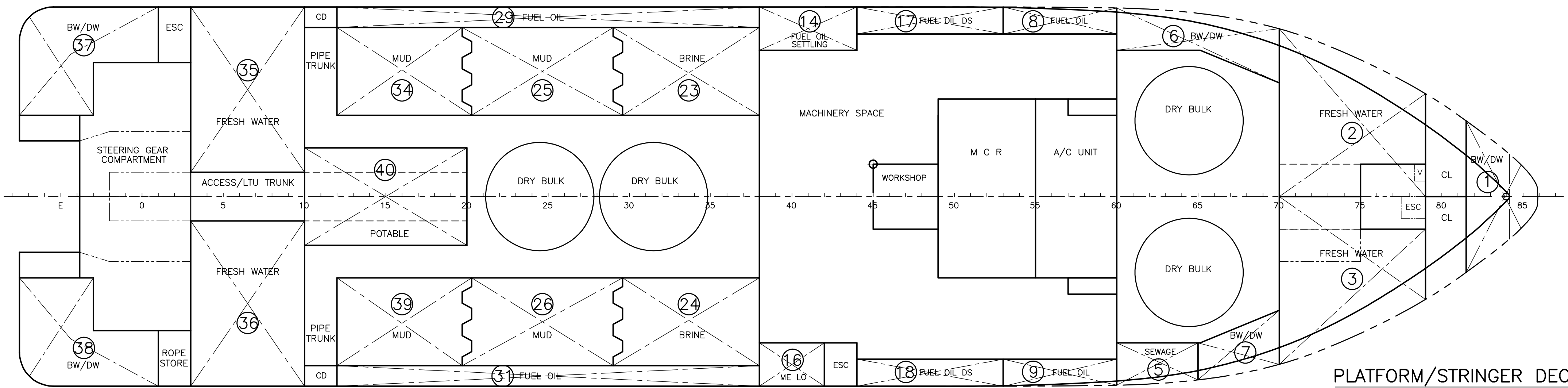
STBD ER WING TANKS LOOKING TO PORT



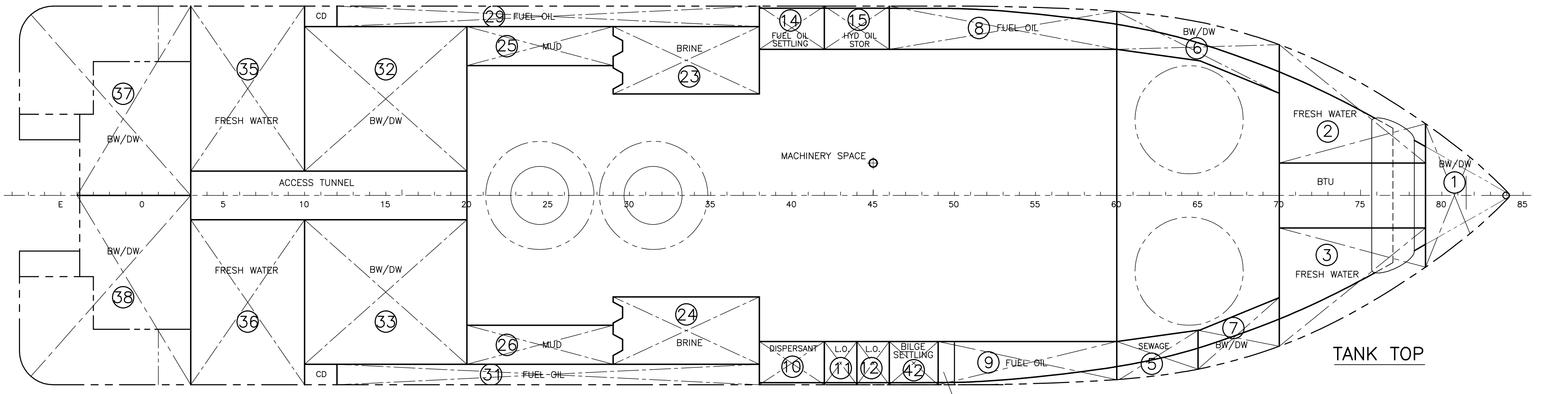
SIDE TANKS



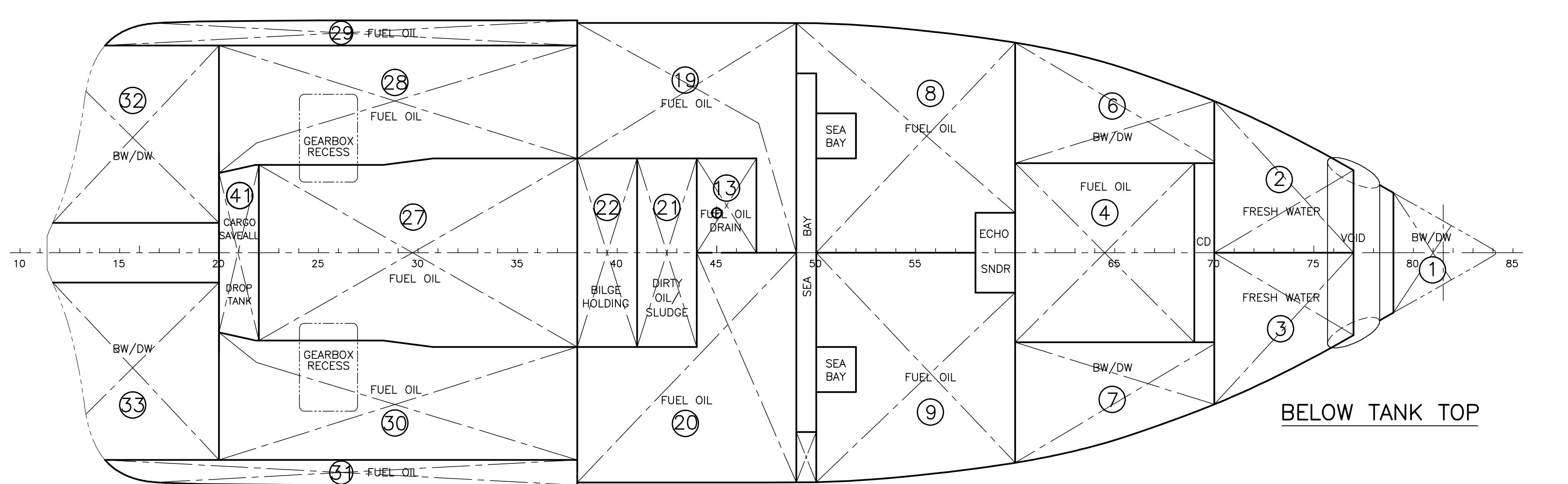
CENTRELINE TANKS



PLATFORM/STRINGER DECK



TANK TOP



BELOW TANK TOP

Tank Number	Tank Description	Capacity (m ³)	Capacity (tonnes)	LCG fwd of A.P. (m)	TCG from C.L. (m)	VCG above B.L. (m)	FSM - Max (tonne.m)
04	FO DB Tank - 3C	32.863	27.934	38.700	0.000	0.575	60.230
08	FO Wing/DB Tank - 4P	79.509	67.583	32.540	-4.767	1.787	122.005
09	FO Wing/DB Tank - 4S	71.009	60.358	32.996	4.598	1.743	116.612
14	FO Settling - P	22.737	19.326	24.357	-6.199	3.821	1.044
17	F.O.D.S - P	12.695	10.791	29.099	-6.500	4.800	0.382
18	F.O.D.S - S	12.695	10.791	29.099	6.500	4.800	0.382
19	FO DB Tank - 5P	31.071	26.410	26.432	-4.284	0.602	64.305
20	FO DB Tank - 5S	36.832	31.307	26.568	3.836	0.598	102.228
27	FO DB Tank - 6C	59.055	50.197	18.105	0.000	0.572	113.342
28	FO DB Tank - 6P	45.213	38.431	17.391	-4.565	0.647	33.443
29	FO Wing Tank - 7P	58.697	49.892	15.331	-6.606	3.441	0.485
30	FO DB Tank - 6S	45.213	38.431	17.391	4.565	0.647	33.443
31	FO Wing Tank - 7S	58.697	49.892	15.331	6.606	3.441	0.485
Total Fuel Oil		566.286	481.343	24.266	-0.327	1.820	648.386

SG Fuel Oil = 0.850, Tank Capacities are 100% Full

02	PW Deep Tank - 1P	101.793	101.793	44.177	-2.454	3.535	65.634
03	PW Deep Tank - 1S	98.138	98.138	44.194	2.483	3.459	59.135
35	PW Deep Tank - 9P	72.618	72.618	4.040	-3.719	4.406	79.209
36	PW Deep Tank - 9S	73.378	73.378	4.108	3.692	4.418	79.209
40	PW Tank - 8C	50.803	50.803	9.000	0.000	4.800	23.328
Total Fresh Water		396.730	396.730	24.919	-0.013	4.001	306.615

SG Fresh Water = 1.000, Tank Capacities are 100% Full

01	BW Fore Peak Tank - C	33.643	34.484	48.857	0.000	3.058	12.466
06	BW DB Tank - 2P	55.558	56.947	38.946	-5.113	2.804	13.782
07	BW DB Tank - 2S	36.527	37.440	39.712	4.687	2.507	13.782
32	BW Deep Tank - 8P	82.988	85.063	9.380	-3.498	2.208	78.040
33	BW Deep Tank - 8S	82.988	85.063	9.380	3.498	2.208	78.040
37	BW Aft Peak Tank - P	40.081	41.083	-1.320	-3.755	4.591	26.338
38	BW Aft Peak Tank - S	40.081	41.083	-1.320	3.755	4.591	26.338
Total Water Ballast		371.866	381.163	18.042	-0.304	2.902	248.786

SG Water Ballast = 1.025, Tank Capacities are 100% Full

23	Brine/Mud Tank - 1P	73.632	97.194	20.100	-4.718	3.794	20.201
24	Brine/Mud Tank - 1S	73.632	97.194	20.100	4.718	3.794	20.201
Total Brine		147.264	194.388	20.100	0.000	3.794	40.402

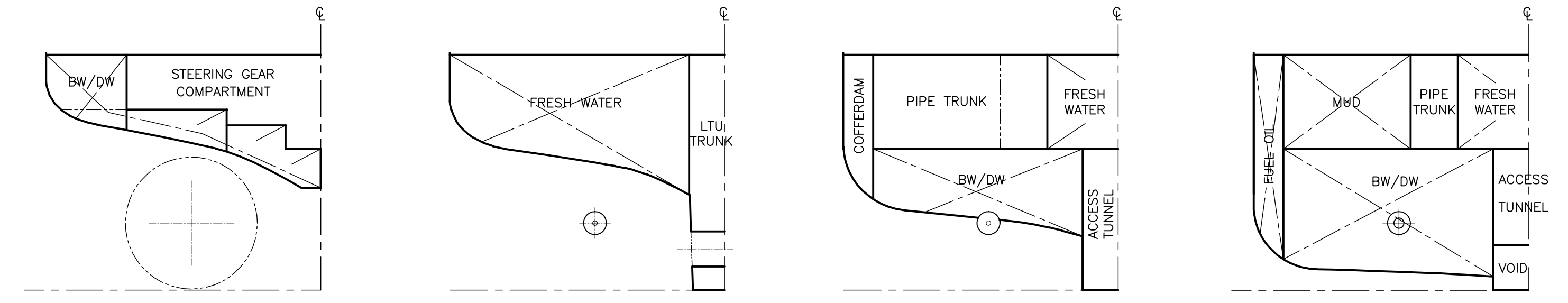
SG Brine = 1.320, Tank Capacities are 100% Full

25	Mud Tank - 2P	55.638	139.095	14.740	-4.931	4.148	38.250
26	Mud Tank - 2S	55.638	139.095	14.740	4.931	4.148	38.250
34	Mud Tank - 3P	36.578	91.445	9.600	-4.620	4.800	34.012
39	Mud Tank - 3S	36.578	91.445	9.600	4.620	4.800	34.012
Total Mud		184.432	461.080	12.701	0.000	4.407	144.524

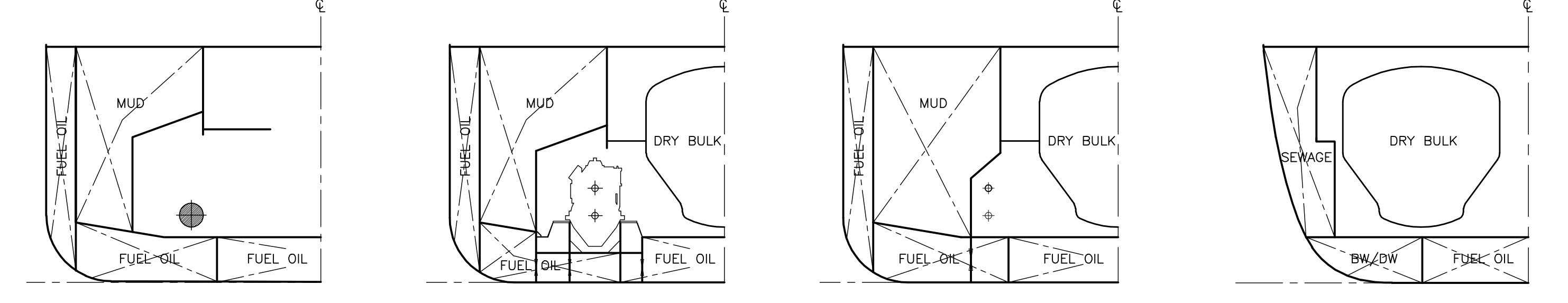
SG Mud = 2.500, Tank Capacities are 100% Full

05	OSewage Tank - S SG = 1.000	19.034	19.034	37.476	5.930	3.661	1.004
10	Dispersion Tank - S SG = 1.000	9.190	9.190	24.000	6.197	2.379	0.819
11	Thruster LO Wing Tank - S SG = 0.920	4.595	4.227	25.800	6.197	2.379	0.377
12	Gen LO Wing Tank - S SG = 0.920	4.595	4.227	27.000	6.197	2.379	0.377
13	FO Drain DB Tank - P SG = 0.850	5.761	4.897	27.300	-1.420	0.575	2.921
15	Hyd Storage Tank - P SG = 0.920	9.189	8.454	26.400	-6.197	2.379	0.754
16	ME LO Tank - S SG = 0.920	9.032	8.309	24.000	6.200	4.800	0.754
21	Dirty Oil/Sludge DB Tank - C SG = 0.920	11.522	10.600	25.500	0.000	0.575	25.289
22	Blige Holding DB Tank - C SG = 1.000	11.522	11.522	23.700	0.000	0.575	27.488
41	Cargo Slops DB Tank - C SG = 1.000	6.544	6.544	12.617	0.000	0.601	13.033
42	Blige Settling Tank - S SG = 1.000	6.887	6.887	28.500	6.197	2.379	0.614
Total Miscellaneous Tanks		97.871	93.892	27.005	2.738	2.210	73.430

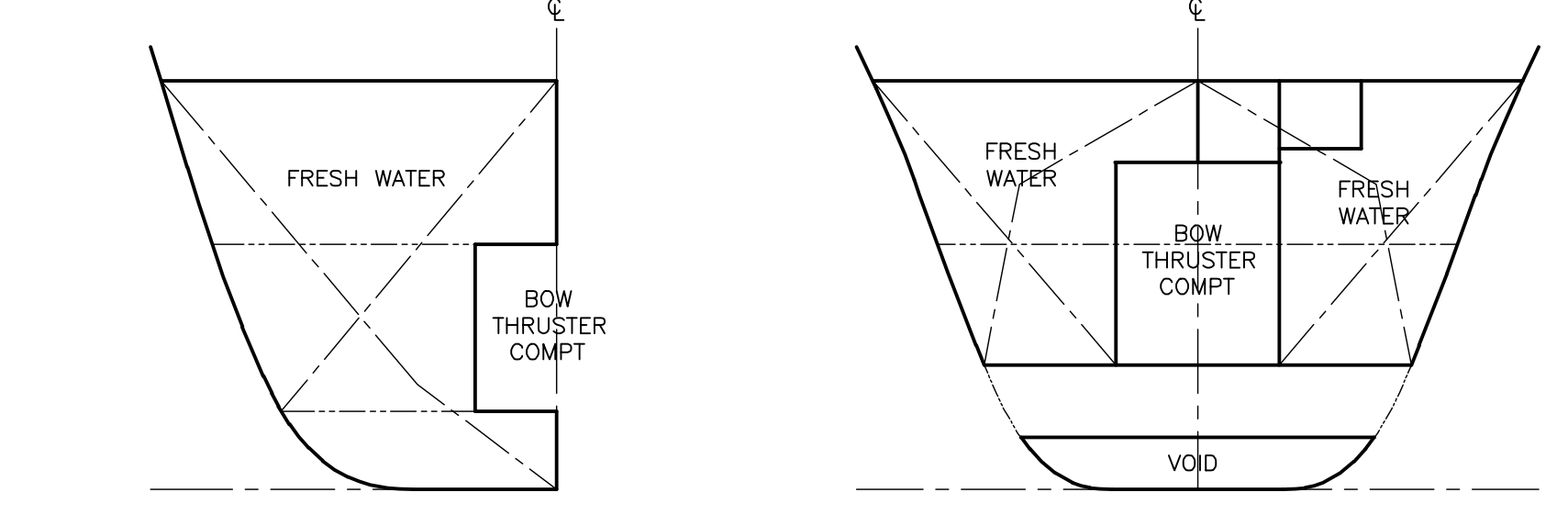
FOUR DRY BULK CARGO TANKS TOTALLING 140 CUBIC METRES



SECTION APPROX FR 1 SECTION APPROX FR 5 SECTION FR 11 SECTION APPROX FR 17



SECTION APPROX FRAME 22 SECTION IWO GEARBOX SECTION APPROX FR 30 SECTION APPROX FR 64



SECTION APPROX FR 73 SECTION APPROX FR 78

STATUS APPROVED WITH REVISIONS

J	REVISED DRAW NAME	M.D.	D.	DATE	BY	DATE
1	REVISED CAPACITIES FOR VARIOUS TANKS	M.L.D.	09/02/08	13	EP	29/07/08
2	REVISED CAPACITIES FOR VARIOUS TANKS	M.L.D.	31/07/08	13	EP	29/07/08
3	REVISED CAPACITIES FOR VARIOUS TANKS	M.L.D.	09/02/08	13	EP	29/07/08
4	REVISED CAPACITIES FOR VARIOUS TANKS	M.L.D.	09/02/08	13	EP	29/07/08
5	REVISED CAPACITIES FOR VARIOUS TANKS	M.L.D.	12/11/08	13	EP	29/07/08
6	REVISED CAPACITIES FOR VARIOUS TANKS	M.L.D.	20/11/08	13	EP	29/07/08
7	REVISED CAPACITIES FOR VARIOUS TANKS	M.L.D.	03/09/08	13	EP	29/07/08
8	REVISED CAPACITIES FOR VARIOUS TANKS	M.L.D.	11/09/08	13	EP	29/07/08
9	REVISED CAPACITIES FOR VARIOUS TANKS	M.L.D.	27/09/08	13	EP	29/07/08

CLIENT	SWIRE PACIFIC OFFSHORE	DRAWN	00
PROJECT	60T BOLLARD PULL AHTS	CHK'D	11/08/08
TITLE	TANKS & CAPACITY PLAN	DATE	14/08/08
BUILDER	QINGDAO QIANJIN SHIPYARD	APPR'D	-
PROJECT	05046 - 106 - 1 - J	DATE	-
SCALE	1:100	DATE	-
SHEET	1 of 1	DATE	-